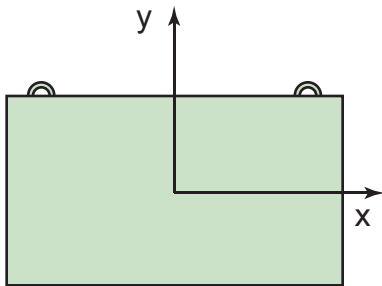
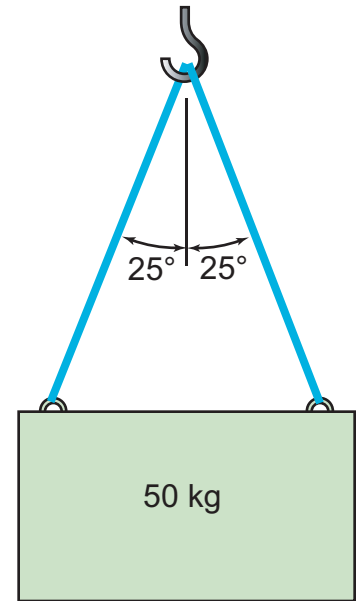
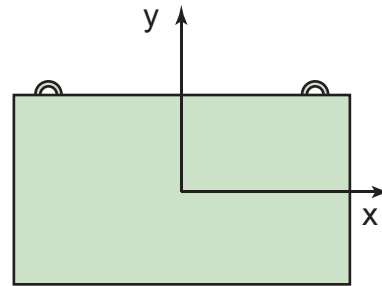


Example

A 50 kg load is initially at rest, then a hoisting mechanism raises the load 1 m over 2 s at constant acceleration. Determine the load in the two cables.



FBD



Kinetic Diagram